

Synchronizer



Hardware Specifications:

- 5ns resolution
- ultra low jitter
- TTL compatible pulses (capable of driving down to 100Ohms)
- output voltage adjustable for special Lasers
- repetition rates from 0,047 Hz up to 10 MHz
- 12 independent outputs, separately configurable
- controls multiple laser systems separately or synchronized
- Q-Switch channel logic OR mode
- CW-mode capable
- non-stop reloading (no stopping of output sequence while user varies the timing)
- 6 trigger inputs up to 2.7MHz
- configurable trigger logic (selectable as logic AND, OR, INVERT)
- free programmable trigger delay
- free programmable trigger window
- incremental encoder mode
- ultra quick following of external triggers
- Ethernet connection for communication with PC
- comfortable configuration via ILA-Software

Data Sheet

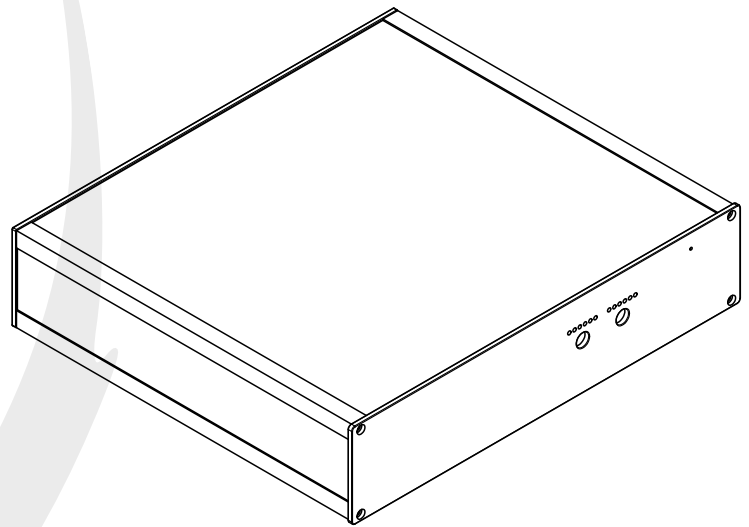
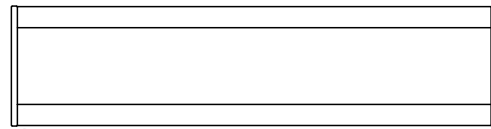
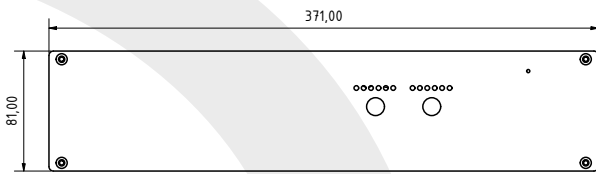
ILA_5150 GmbH
Kurbrunnenstraße 24
52066 Aachen - Germany
Fon +49(0)241 95789-814
Fax +49(0)241 95789-585
info@ila5150.de www.ila5150.de

ILA 5150
GmbH

Synchronizer



Three external trigger signals can be combined freely using „AND“, „OR“ and „INVERTED“ logic. This enables you to set up highly complex trigger sequences, just to be sure, you measure at exactly the right time.



Data Sheet

ILA_5150 GmbH
Kurbrunnenstraße 24
52066 Aachen - Germany
Fon +49(0)241 95789-814
Fax +49(0)241 95789-585
info@ila5150.de www.ila5150.de

ila5150
GmbH