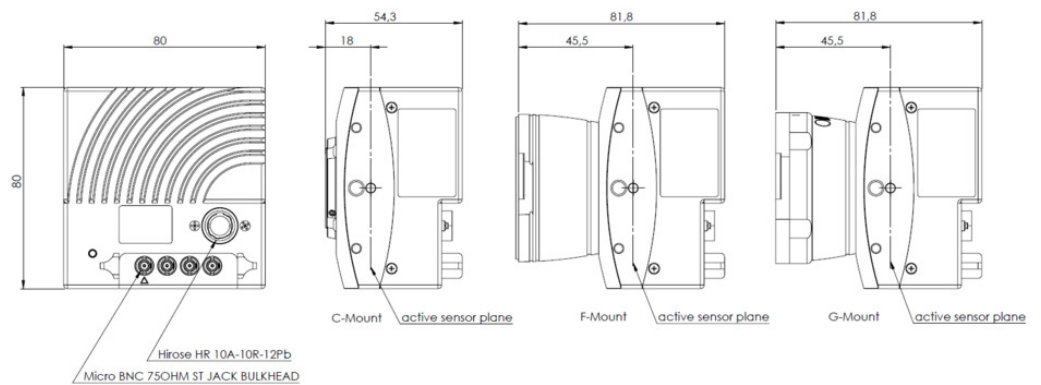


PIV.Mikro.HighSpeed CMOS Camera



The ILA.PIV.Mikro High-Speed camera is a very small, flexible and easy to use high speed CMOS camera with:

- 2.200 fps high temporal resolution at 2 MPix or up to 170.500 fps at reduced resolution
- interframing time as low as $3 \mu\text{s}$ – for applications in high speed air flows
- CoaXPress-12 frame grabber-based image acquisition
- 10 bit dynamic range

Data Sheet
June 2024

ILA_5150 GmbH
Rotter Bruch 26a
52068 Aachen - Germany
Fon +49(0)241 95789-814
info@ila5150.de, www.ila5150.de

ila5150
GmbH

PIV.Mikro.HighSpeed CMOS Camera

General

power supply	12-24 VDC
power consumption	11W
weight	450 g
operating temp.	+5 °C .. +50 °C
operating humidity	20% .. 80% (non-condensing)
storage temp range	-20 °C .. +60 °C
optical interface	C-mount / F-mount*
CE / FCC certified	yes

* Other mounts available upon request

Camera

Exposure / shutter time	0.002 - 1000 ms
interframing time	as low as 3 µs
dynamic range A/D	10 bit

Resolution	Frame rate
1,920 x 1,080 px	2,220 fps
1,280 x 1,024 px	2,350 fps
1,280 x 764 px	3,150 fps
640 x 480 px	5,010 fps
128 x 128 px	18,160 fps

trigger input signals	frame or sequence trigger
trigger output signals	exposure, busy
data interface	CoaXpress-12, 4 x 12.5 Gbit/s

Image Sensor

type of sensor	CMOS Mono
image sensor	LUX19HS
Readout mode	Global Shutter
resolution (h x v)	1920 x 1080 pixel
pixel size (h x v)	10 µm x 10 µm
sensor format	4/3"
shutter modes	Global shutter
Sensitivity	20 V/lux*s @ 550 nm
spectral range	400 nm .. 1000 nm
FPGA Type	Xilinx Kintex® Ultrascale™ KU035
Volatile memory	1 GB, DDR4



Data Sheet
June 2024

ILA_5150 GmbH
Rotter Bruch 26a
52068 Aachen - Germany
Fon +49(0)241 95789-814
info@ila5150.de, www.ila5150.de

ila5150
GmbH